

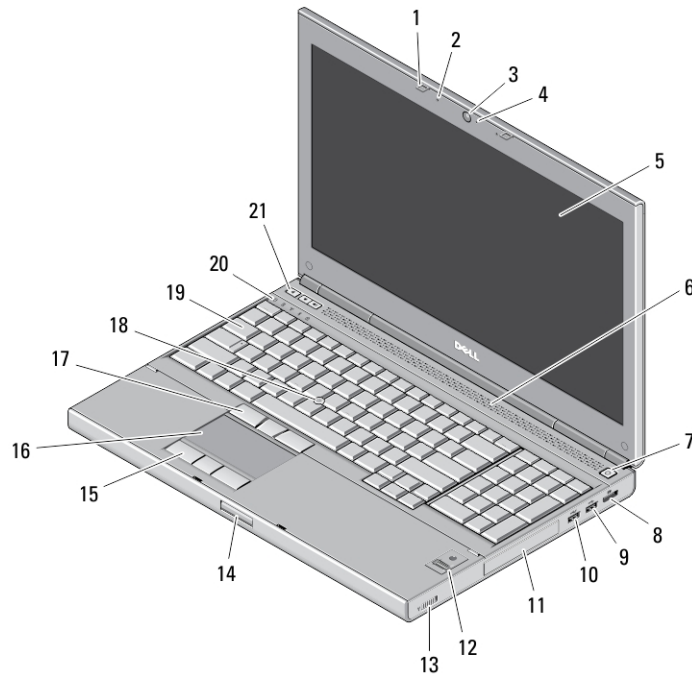
# Dell Precision Mobile Workstation M4700/M6700

## Setup And Features Information

### About Warnings

 **WARNING:** A WARNING indicates a potential for property damage, personal injury, or death.

### M4700 — Front and Back View



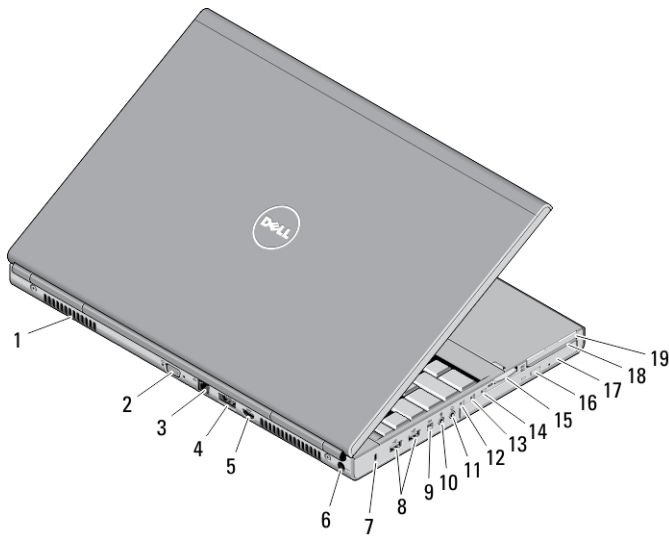
**Figure 1. Front View**

- |                                  |                                   |
|----------------------------------|-----------------------------------|
| 1. display latches (2)           | 12. fingerprint reader (optional) |
| 2. microphones (2) (optional)    | 13. wireless switch               |
| 3. camera (optional)             | 14. display latch release button  |
| 4. camera LED (optional)         | 15. touchpad buttons (3)          |
| 5. display                       | 16. touchpad                      |
| 6. speakers (2)                  | 17. track-stick buttons (3)       |
| 7. power button                  | 18. track stick                   |
| 8. DisplayPort connector         | 19. keyboard                      |
| 9. USB 3.0 connector             | 20. device status lights          |
| 10. USB 3.0 PowerShare connector | 21. volume control buttons (3)    |
| 11. hard drive                   |                                   |



OG71F1A00

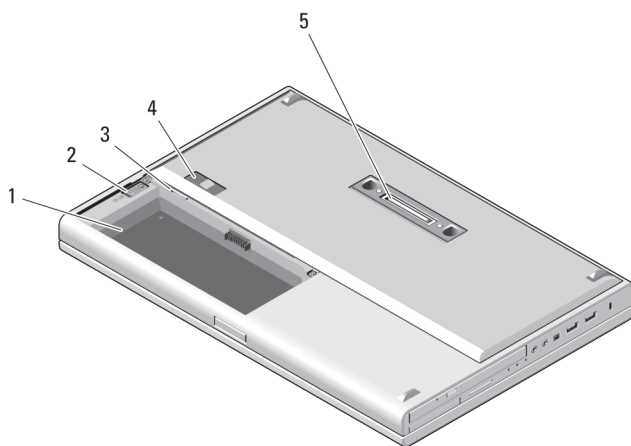
Regulatory Model: P21F, P22F  
Regulatory Type: P21F001, P22F001  
2012 - 06



**Figure 2. Back View**

- |                            |                                |
|----------------------------|--------------------------------|
| 1. cooling vents (2)       | 11. headphone connector        |
| 2. VGA connector           | 12. hard-drive status light    |
| 3. network connector       | 13. battery status light       |
| 4. eSATA/USB 2.0 connector | 14. power light                |
| 5. HDMI connector          | 15. 10-in-1 card reader slot   |
| 6. power connector         | 16. optical-drive eject button |
| 7. security cable slot     | 17. optical drive              |
| 8. USB 2.0 connectors (2)  | 18. smart card reader slot     |
| 9. IEEE 1394 port (4-pin)  | 19. ExpressCard slot           |
| 10. microphone connector   |                                |

## M4700 — Base View

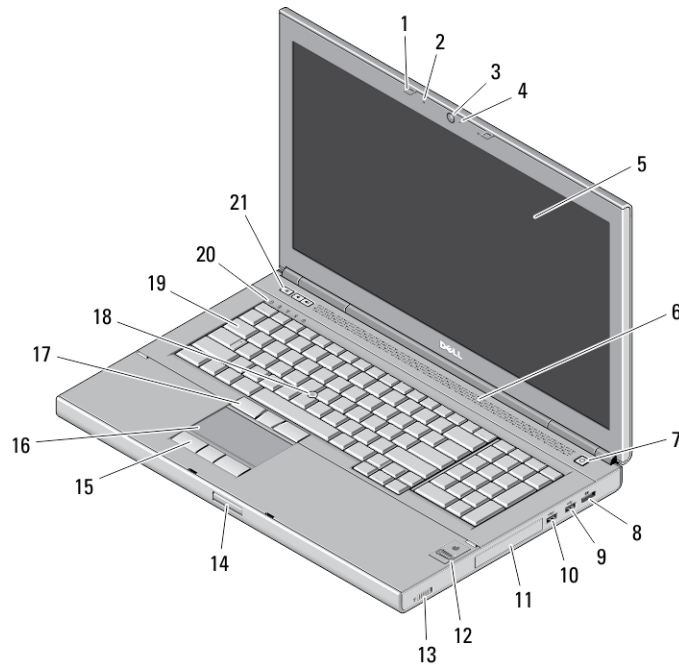


**Figure 3. Base View**

1. battery bay

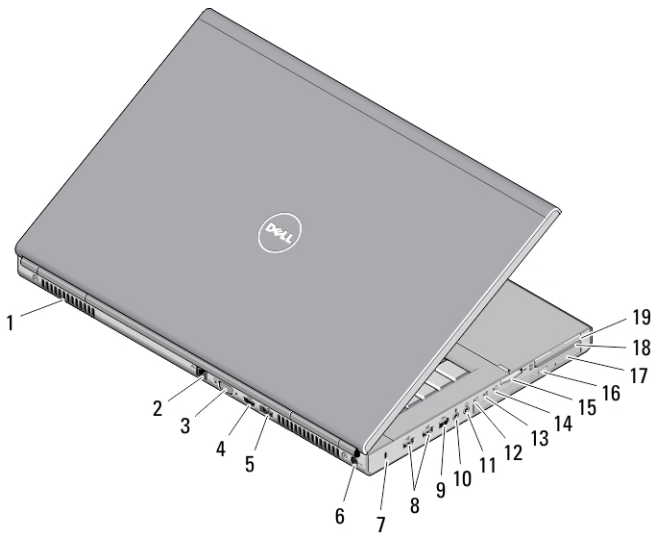
- 2. HDD eject latch
- 3. SIM slot
- 4. battery release latch
- 5. dock I/O port

## M6700 — Front and Back View



**Figure 4. Front View**

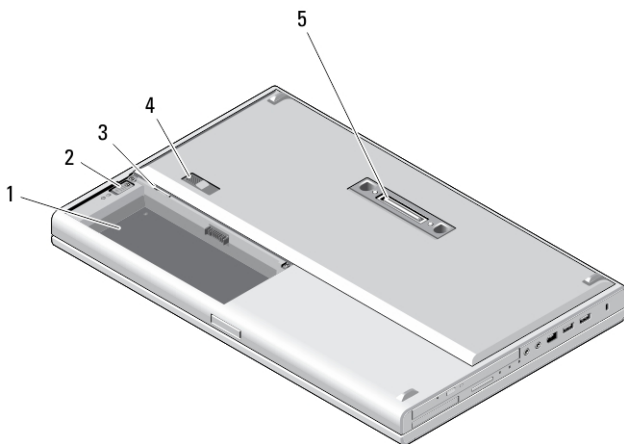
- |                                  |                                   |
|----------------------------------|-----------------------------------|
| 1. display latches (2)           | 12. fingerprint reader (optional) |
| 2. microphones (2) (optional)    | 13. wireless switch               |
| 3. camera (optional)             | 14. display-latch release button  |
| 4. camera LED (optional)         | 15. touchpad buttons (3)          |
| 5. display                       | 16. touchpad                      |
| 6. speakers (2)                  | 17. track-stick buttons (3)       |
| 7. power button                  | 18. track stick                   |
| 8. DisplayPort connector         | 19. keyboard                      |
| 9. USB 3.0 connector             | 20. device status lights          |
| 10. USB 3.0 PowerShare connector | 21. volume control buttons (3)    |
| 11. hard drive                   |                                   |



**Figure 5. Back View**

- |                                    |                                |
|------------------------------------|--------------------------------|
| 1. cooling vents (2)               | 11. headphone connector        |
| 2. network connector               | 12. hard-drive status light    |
| 3. VGA connector                   | 13. battery status light       |
| 4. HDMI connector                  | 14. power light                |
| 5. eSATA/USB 2.0 connector         | 15. 10-in-1 card reader slot   |
| 6. power connector                 | 16. optical-drive eject button |
| 7. security cable slot             | 17. optical drive              |
| 8. USB 2.0 connectors (2)          | 18. smart card reader slot     |
| 9. IEEE 1394 port (6-pin, powered) | 19. ExpressCard slot           |
| 10. microphone connector           |                                |

## M6700 — Base View







**Figure 6. Base View**

1. battery bay

2. HDD eject latch
3. SIM slot
4. battery release latch
5. dock I/O port

## Quick Setup

-  **WARNING:** Before you begin any of the procedures in this section, read the safety information that shipped with your computer. For additional best practices information, see [www.dell.com/regulatory\\_compliance](http://www.dell.com/regulatory_compliance)
-  **WARNING:** The AC adapter works with electrical outlets worldwide. However, power connectors and power strips vary among countries. Using an incompatible cable or improperly connecting the cable to the power strip or electrical outlet may cause fire or equipment damage.
-  **CAUTION:** When you disconnect the AC adapter cable from the computer, grasp the connector, not the cable itself, and pull firmly but gently to avoid damaging the cable. When you wrap the AC adapter cable, ensure that you follow the angle of the connector on the AC adapter to avoid damaging the cable.
-  **NOTE:** Some devices may not be included if you did not order them.

1. Connect the AC adapter to the AC adapter connector on the computer and to the electrical outlet.

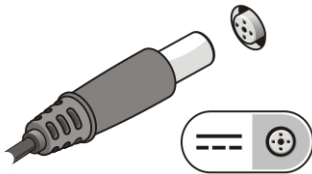


Figure 7. AC Adapter

2. Connect the network cable (optional).

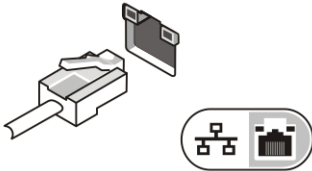


Figure 8. Network Connector

3. Connect USB devices, such as a mouse or keyboard (optional).

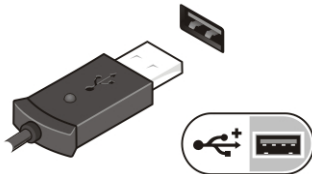


Figure 9. USB Connector

4. Connect IEEE 1394 devices, such as a 1394 hard drive (optional).

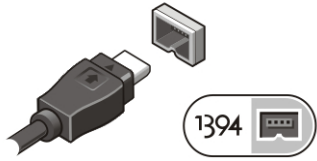


Figure 10. IEEE 1394 Connector on M4700

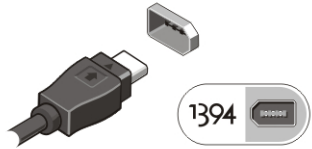


Figure 11. IEEE 1394 Connector on M6700

5. Open the computer display and press the power button to turn on the computer.



Figure 12. Power Button

**NOTE:** It is recommended that you turn on and shut down your computer at least once before you install any cards or connect the computer to a docking device or other external device, such as a printer.

## Specifications

**NOTE:** Offerings may vary by region. The following specifications are only those required by law to ship with your computer. For more information regarding the configuration of your computer, click **Start** → **Help and Support** and select the option to view information about your computer.

Table 1. Power

Feature	Description
AC adapter	180 W and 240 W
Input voltage	90 VAC to 264 VAC
Coin-cell battery	3V / 210 mA

Table 2. Physical

Feature	M4700	M6700
Height	32.70 mm (1.28 inches)	33.10 mm (1.30 inches)
Width	376 mm (14.80 inches)	416.70 mm (16.40 inches)
Depth	256 mm (10.07 inches)	270.60 mm (10.65 inches)

Feature	M4700	M6700
Weight (minimum)	2.79 kg (6.15 lb)	3.52 kg (7.76 lb)

**Table 3. Environmental**

Feature	Description
Operating temperature	0 °C to 35 °C (32 °F to 95 °F)

## Information para NOM (únicamente para México)

The following information provided on the device described in this document in compliance with the requirements of the official Mexican standards (NOM).

Voltaje de alimentación	100 V CA – 240 V CA
Frecuencia	50 Hz – 60 Hz
Consumo eléctrico:	
M4700	2,34 A /2,5 A
M6700	3,5 A
Voltaje de salida	19,50 V de CC
Intensidad de salida	3,34 A /4,62 A

## Finding More Information and Resources

See the safety and regulatory documents that shipped with your computer and the regulatory compliance website at [www.dell.com/regulatory\\_compliance](http://www.dell.com/regulatory_compliance) for more information on:

- Safety best practices
- Regulatory certification
- Ergonomics

See [www.dell.com](http://www.dell.com) for additional information on:

- Warranty
- Terms and Conditions (U.S. only)
- End User License Agreement

Additional information on your product is available at [support.dell.com/manuals](http://support.dell.com/manuals).

© 2012 Dell Inc.

Trademarks used in this text: Dell™, the DELL logo, Dell Precision™, Precision ON™, ExpressCharge™, Latitude™, Latitude ON™, OptiPlex™, Vostro™, and Wi-Fi Catcher™ are trademarks of Dell Inc. Intel®, Pentium®, Xeon®, Core™, Atom™, Centrino®, and Celeron® are registered trademarks or trademarks of Intel Corporation in the U.S. and other countries. AMD® is a registered trademark and AMD Opteron™, AMD Phenom™, AMD Sempron™, AMD Athlon™, ATI Radeon™, and ATI FirePro™ are trademarks of Advanced Micro Devices, Inc. Microsoft®, Windows®, MS-DOS®, Windows Vista®, the Windows Vista start button, and Office Outlook® are either trademarks or registered trademarks of Microsoft Corporation in the United States and/or other countries. Blu-ray Disc™ is a trademark owned by the Blu-ray Disc Association (BDA) and licensed for use on discs and players. The Bluetooth® word mark is a registered

trademark and owned by the Bluetooth® SIG, Inc. and any use of such mark by Dell Inc. is under license. Wi-Fi® is a registered trademark of Wireless Ethernet Compatibility Alliance, Inc.